



ELECTROLUX HOME PRODUCTS PTY LTD
ABN 51 004 762 341

Technical Publication N° CE379.doc

Issue: 4
Date: 2/11

WEB SITE ADDRESS: www.partnship.com.au

ELECTROLUX

ELECTRIC

UNDERBENCH OVEN

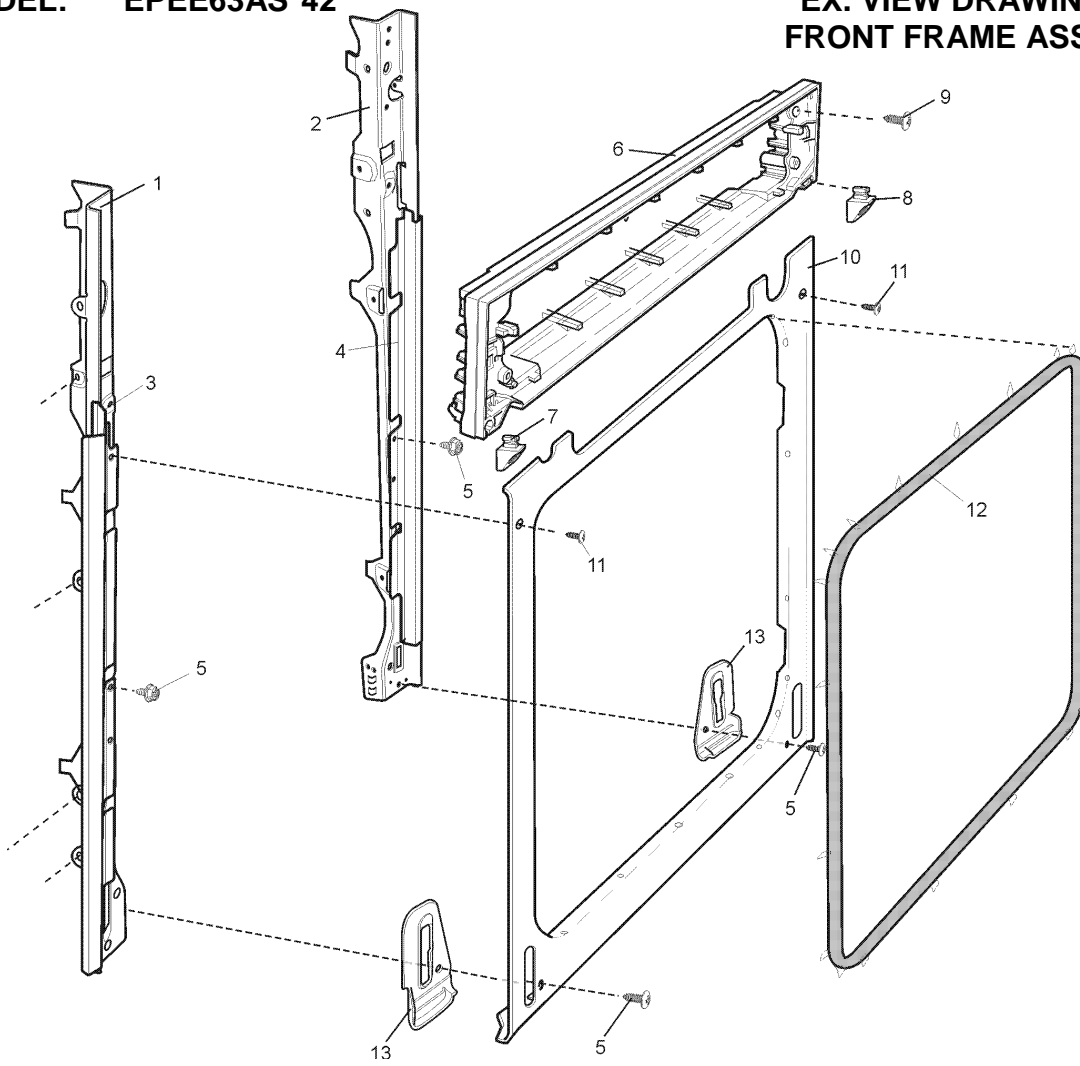
PYRO

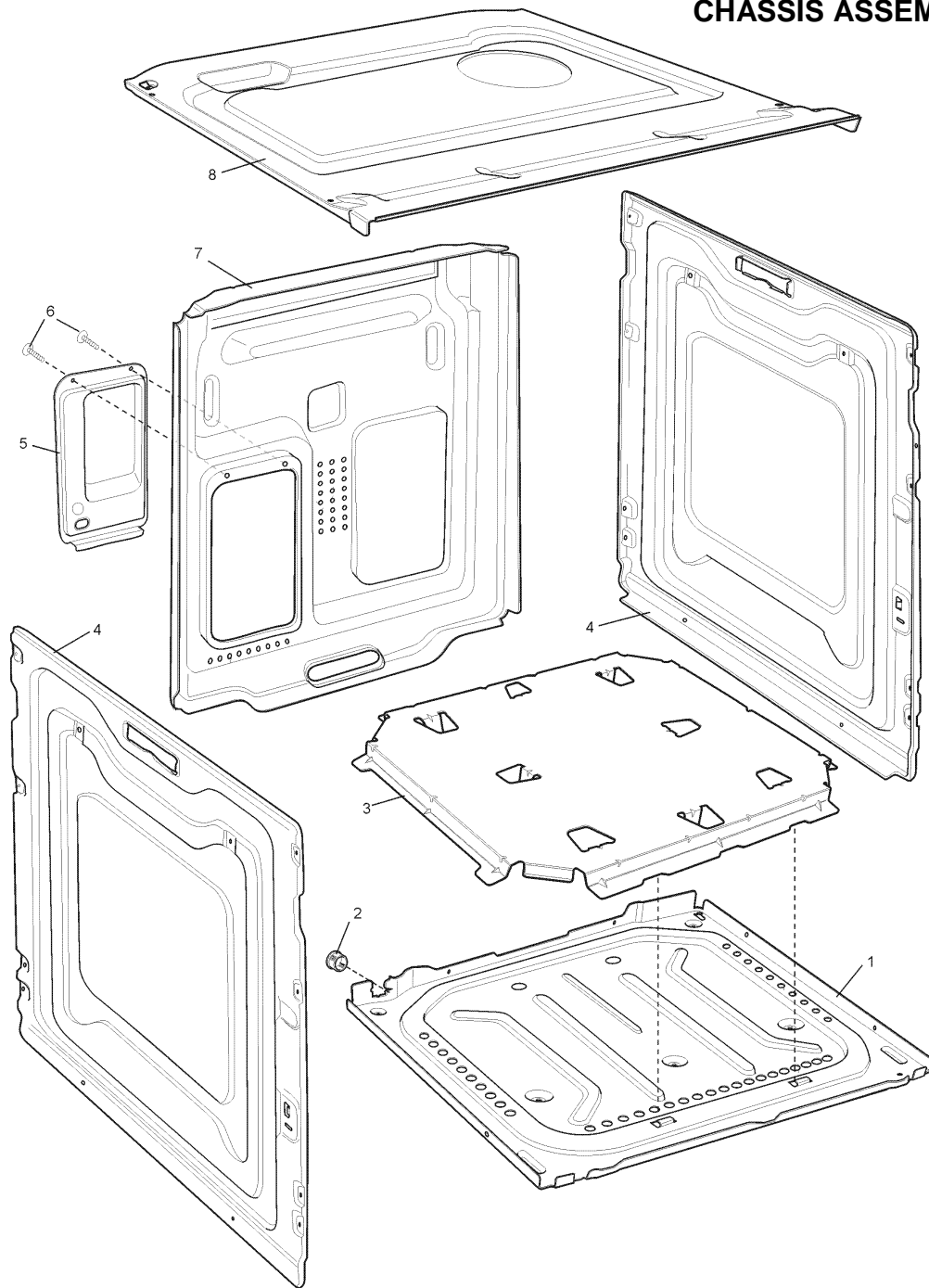
NOTE: THIS ISSUE SUPERSEDES ALL PREVIOUS ISSUES

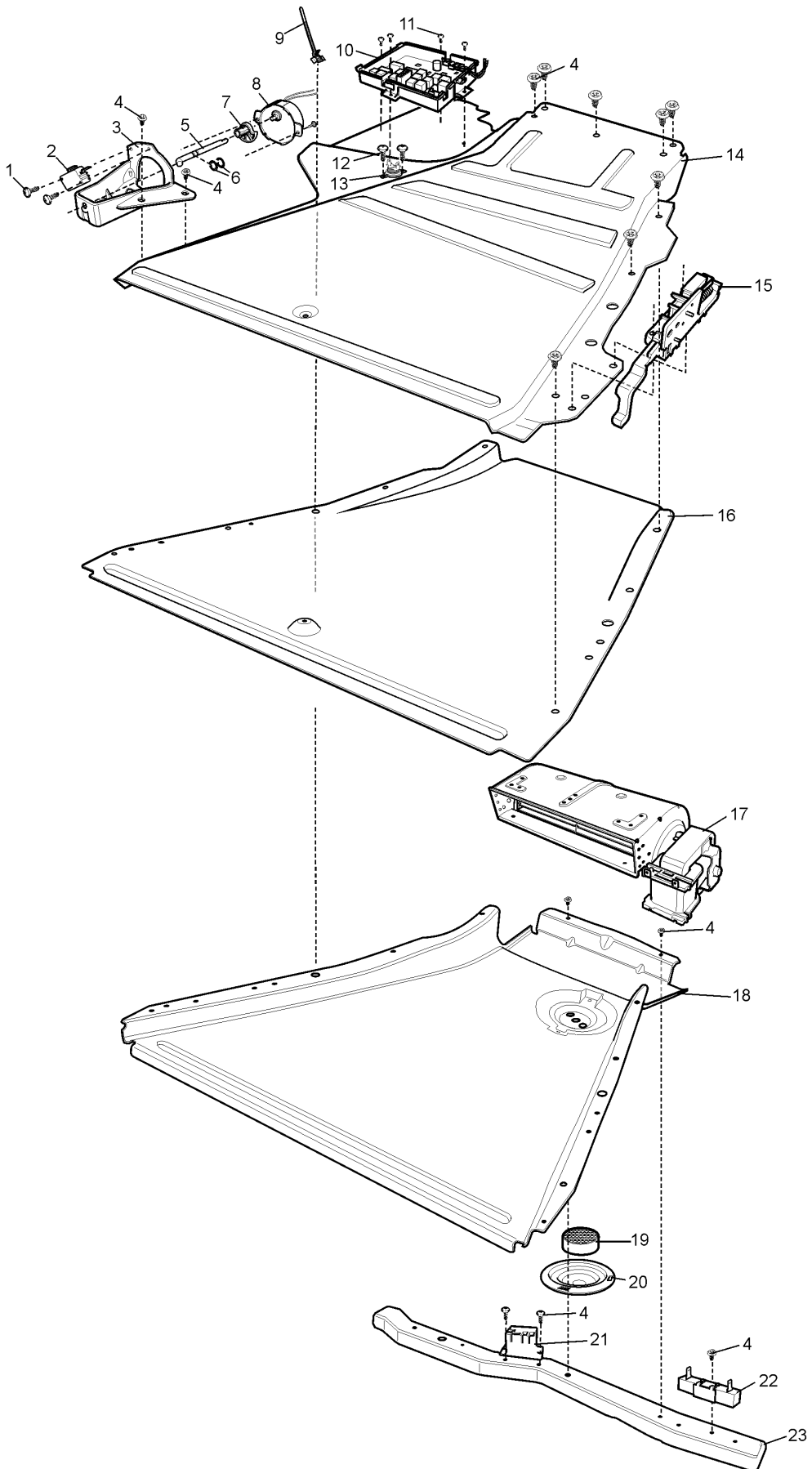
MODEL:
EPEE63AS*42

MODEL: EPEE63AS*42

EX. VIEW DRAWING 6518
FRONT FRAME ASSEMBLY







EX. VIEW DRAWING 5815
CONTROL PANEL ASSEMBLY

